

**REQUIRED TOOLS
AND MATERIALS:**

 • **Two (2) Capable Adults**

 • **Tape Measure**

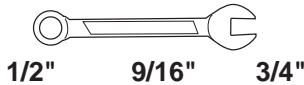
 • **Step Ladder - 8ft. (2.4 m)**

Backboard and Rim Owners Manual

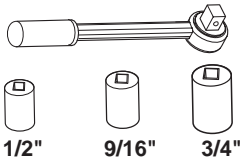
Customer Service Center

• N53 W24700 South Corporate Circle • Sussex, WI 53089 • U.S.A.

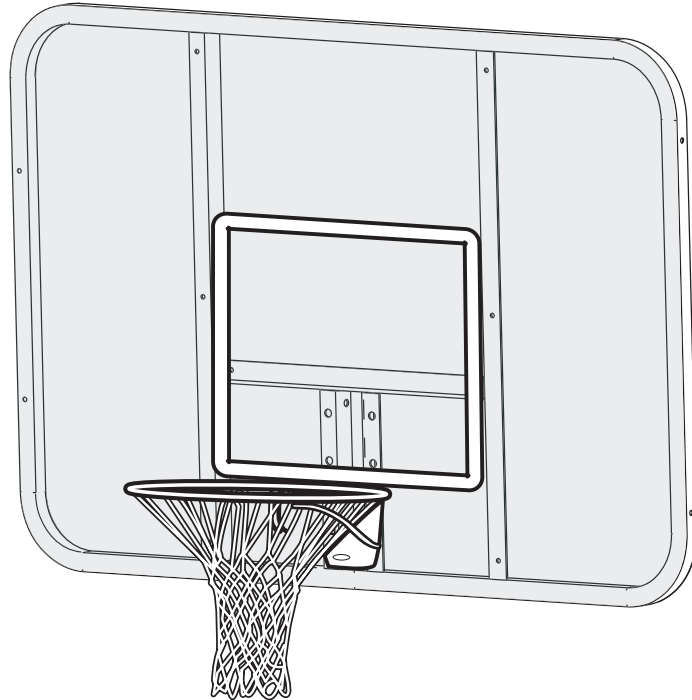
• **(2 each) Wrenches and/or Socket Wrenches and Sockets (Deep-Well Sockets are Recommended).**



AND/OR



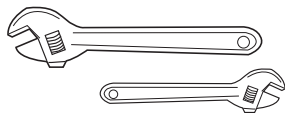
• **Extension is Recommended.**



Adult Assembly Required.

This manual, accompanied by sales receipt, should be saved and kept on hand as a convenient reference, as it contains important information about your model.

**OPTIONAL TOOLS
AND MATERIALS:**



• **Large and Small Adjustable Wrenches**



WARNING!

READ AND UNDERSTAND OPERATOR'S MANUAL BEFORE USING THIS UNIT.

FAILURE TO FOLLOW OPERATING INSTRUCTIONS COULD RESULT IN INJURY OR DAMAGE TO PROPERTY.

**Write Model Number
From Box Here:**

Toll-Free Customer Service Number for U.S: **1-800-558-5234**,

For Canada: **1-800-284-8339**,

For Europe: **00 800 555 85234** (Sweden: **009 555 85234**),

For Australia: **1800 632 792**

Internet Address: **www.huffysports.com** **www.spalding.com**



SAFETY INSTRUCTIONS



FAILURE TO FOLLOW THESE SAFETY INSTRUCTIONS MAY RESULT IN SERIOUS INJURY OR PROPERTY DAMAGE AND WILL VOID WARRANTY.

Owner must ensure that all players know and follow these rules for safe operation of the system.

To ensure safety, do not attempt to assemble this system without following the instructions carefully. Check entire box and inside all packing material for parts and/or additional instruction material. Before beginning assembly, read the instructions and identify parts using the hardware identifier and parts list in this document. Proper and complete assembly, use, and supervision are essential for proper operation and to reduce the risk of accident or injury. A high probability of serious injury exists if this system is not installed, maintained, and operated properly.

- If using a ladder during assembly, use extreme caution.
- Two (2) capable adults are recommended for this operation.
- Climate, corrosion, or misuse could result in system failure.
- Minimum operational height is 6' 6" (1.98 m) to the bottom of backboard.
- This equipment is intended for home recreational use only and NOT excessive competitive play.
- The life of your basketball pole depends on many conditions. The climate, placement of the pole, location of the pole, exposure to corrosives such as pesticides, herbicides, or salts are all important.
- If technical assistance is required, contact Customer Service.

*Most injuries are caused by misuse and/or not following instructions.
Use caution when using this system.*

NOTICE TO ASSEMBLERS

Adult Assembly Required. Dispose of ALL packaging materials promptly. As with all products, periodically inspect for loose small parts.

ALL basketball systems, including those used for DISPLAYS, MUST be assembled and installed according to instructions. Failure to follow instructions could result in SERIOUS INJURY. It is NOT acceptable to devise a makeshift support system.



WARNING

Read and understand warnings listed below before using this product.

Failure to follow these warnings may result in serious injury and/or property damage.

9

Owner must ensure that all players know and follow these rules for safe operation of the system.

- DO NOT HANG on the rim or any part of the system including backboard, support braces or net.
- During play, especially when performing dunk type activities, keep player's face away from the backboard, rim and net. Serious injury could occur if teeth/face come in contact with backboard, rim or net.
- During play, do not wear jewelry (rings, watches, necklaces, etc.). Objects may entangle in net.
- Check system before each use for loose hardware, excessive wear and signs corrosion and repair before use.
- Never play on damaged equipment.
- See instruction manual for proper installation and maintenance.

SPALDING

In the U.S.: 1-800-588-8234
In Canada: 1-800-264-6239

HYDRA-RIB

In the U.S.: 1-800-224-9111

**RUSSELL
ATHLETIC**

SURE SHOT

In the U.S.: 1-888-733-5488

HUFFYSPORTS

ID#: 572800 05/05

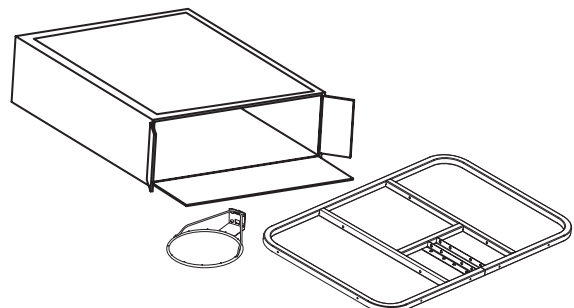
PRODUCT REGISTRATION:

Please remember to complete your product registration form on-line at:

www.huffysports.com/customer_support/product_registration.

IMPORTANT!

**Remove all contents from boxes.
Be sure to check inside pole sections;
hardware and additional parts are packed inside.**



Questions or Missing Parts?

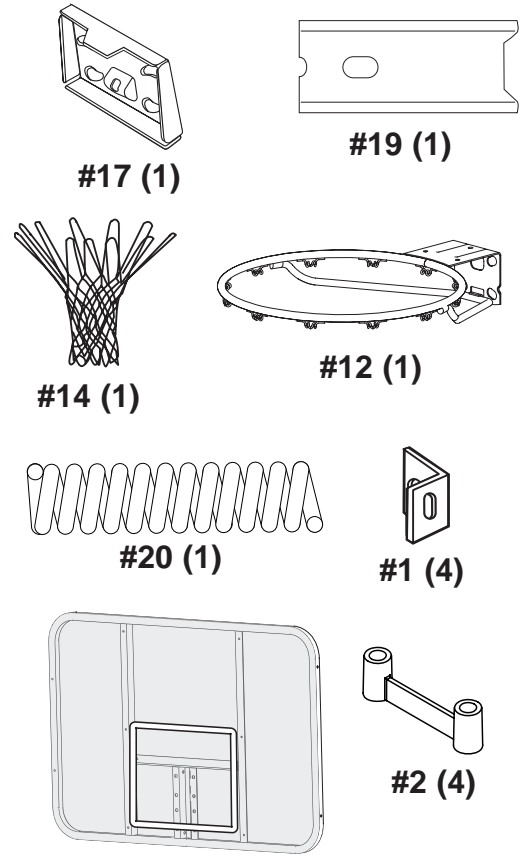
DON'T go back to store!

Call TOLL-FREE Customer Service
Number listed on the front page!

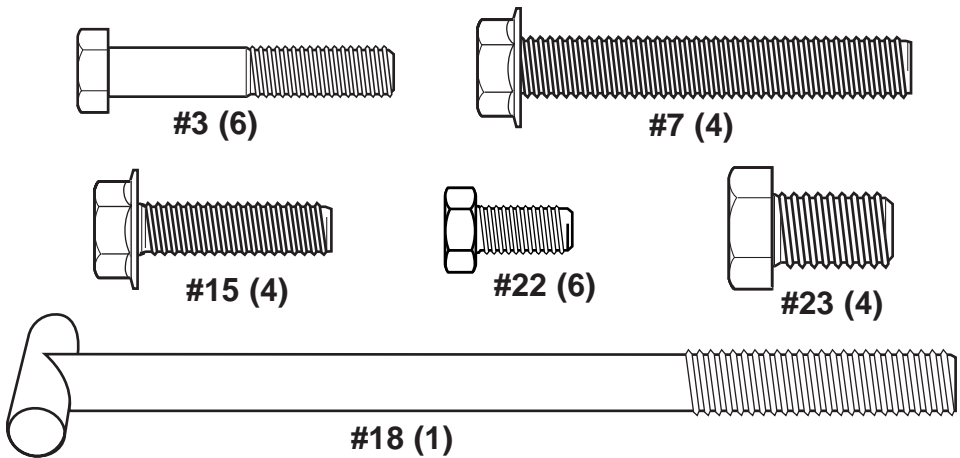
PARTS LIST - See Hardware Identifier

<input checked="" type="checkbox"/>	<u>Item</u>	<u>Qty.</u>	<u>Part No.</u>	<u>Description</u>
<input type="checkbox"/>	1	4	200580	"L" Bracket
<input type="checkbox"/>	2	4	200837	Spacer, Plastic
<input type="checkbox"/>	3	2	203071	Bolt, Hex Head, 1/4-20 x 1-1/2 Long
<input type="checkbox"/>	4	6	203326	Washer, Lock, 1/4
<input type="checkbox"/>	5	6	203228	Nut, 1/4-20
<input type="checkbox"/>	6	6*	203100	Hex Flange Nut 5/16-18
<input type="checkbox"/>	7	4	203104	Bolt, Hex Flange, 5/16-18 x 2 Long
<input type="checkbox"/>	8	2	90096401	Bracket, Backboard Support
<input type="checkbox"/>	9	1	579800	Label, Warning
<input type="checkbox"/>	10	1	203470	Washer, Flat, 1.5" O.D.
<input type="checkbox"/>	11	4*	203063	Nut, 3/8-16
<input type="checkbox"/>	12	1		Rim
<input type="checkbox"/>	13	1		Backboard
<input type="checkbox"/>	14	1		Net
<input type="checkbox"/>	15	4	205528	Bolt, Hex Flange, 5/16-18 x 1 Long
<input type="checkbox"/>	16	4*	203309	Washer, Flat
<input type="checkbox"/>	17	1	900033	Bracket, Slam Jam
<input type="checkbox"/>	18	1	203796	Bolt, Tee, 3/8-16, 5" Long
<input type="checkbox"/>	19	1	200318	Bracket, Reinforcement, Slam Jam
<input type="checkbox"/>	20	1	203472	Spring, Rim
<input type="checkbox"/>	21	1	203795	Nut, Special, 3/8-16
<input type="checkbox"/>	22	6	201107	Bolt, Hex Head, 1/4-20 x 1/2 Long
<input type="checkbox"/>	23	4	204961	Bolt, Hex Head, 3/8-16 x 5/8 Long

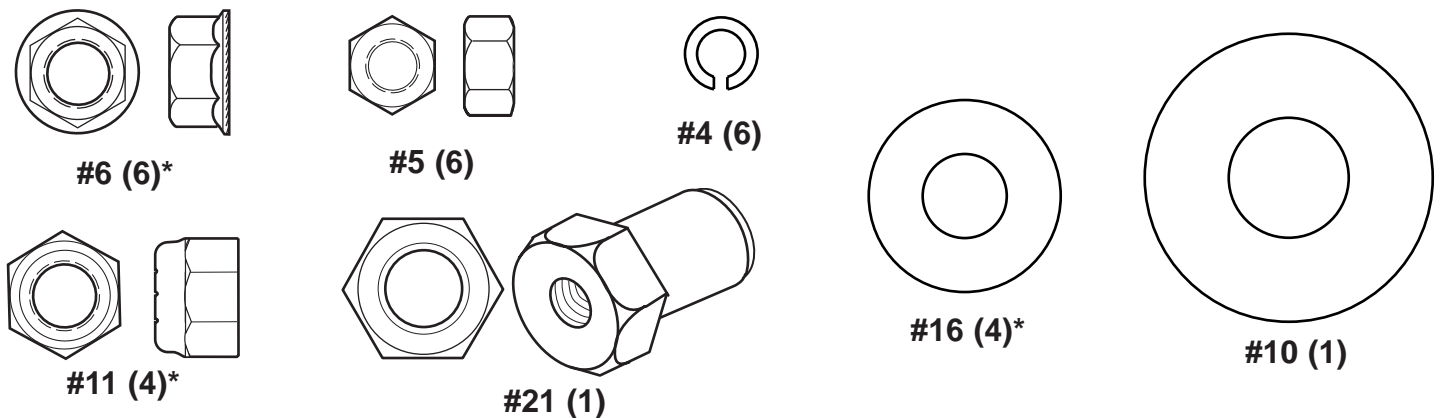
**HARDWARE IDENTIFIER
(Not Actual Size)**



HARDWARE IDENTIFIER (BOLTS)



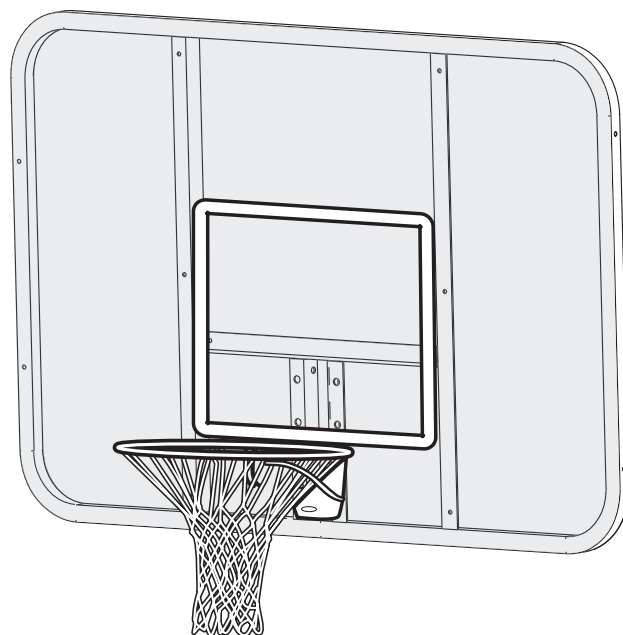
HARDWARE IDENTIFIER (NUTS, WASHERS & SPACERS)



1.

ASSEMBLE THE BACKBOARD AND RIM

This is what your system will look like when you've finished this section:



WARNING!



IF YOUR SYSTEM IS EQUIPPED WITH AN ACRYLIC BACKBOARD, EXAMINE BACKBOARD FOR ANY DAMAGE THAT MAY HAVE OCCURRED DURING SHIPMENT. CRACKS IN THE BACKBOARD COULD RESULT IN SUDDEN BREAKAGE. IF BACKBOARD IS DAMAGED IN ANY WAY PRIOR TO OR AFTER ASSEMBLY, CALL TOLL-FREE NUMBER:

U.S. 1-800-558-5234; CANADA: 1-800-284-8339; <http://www.huffysports.com>

TOOLS REQUIRED

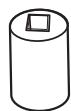
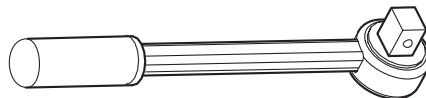


1/2"

9/16"

3/4"

AND/OR



1/2"



9/16"



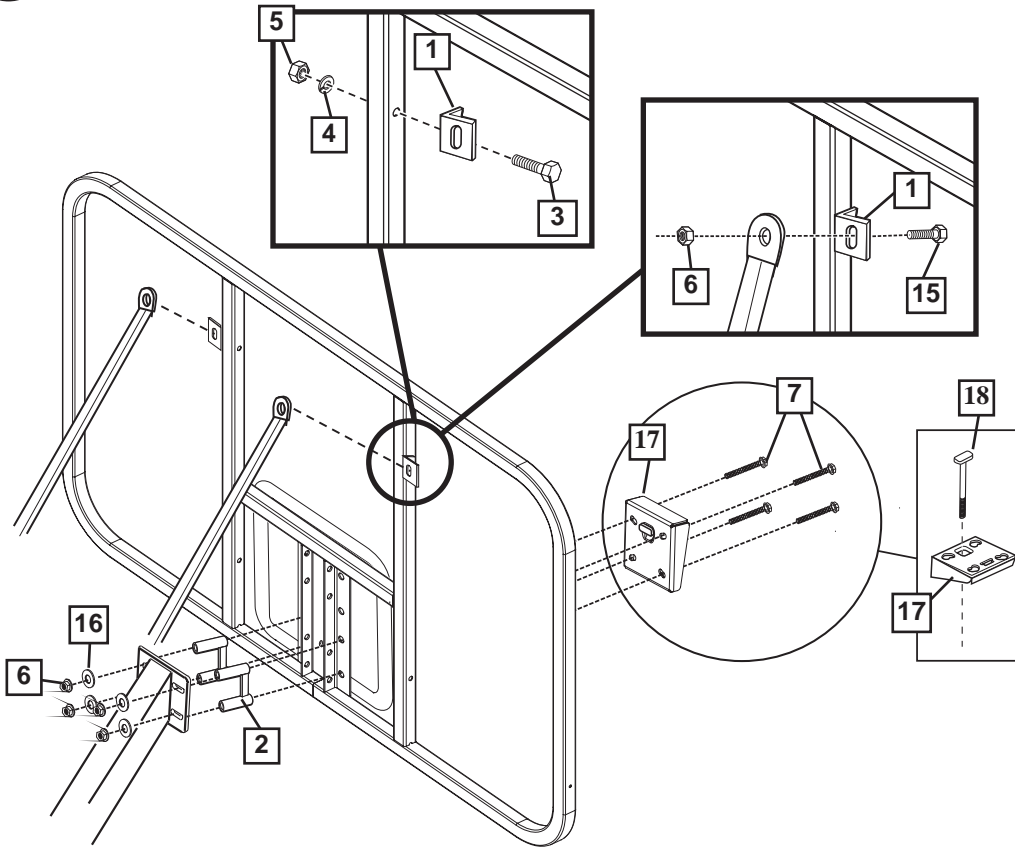
3/4"

EXTENSION ARM MOUNT

NOTE:

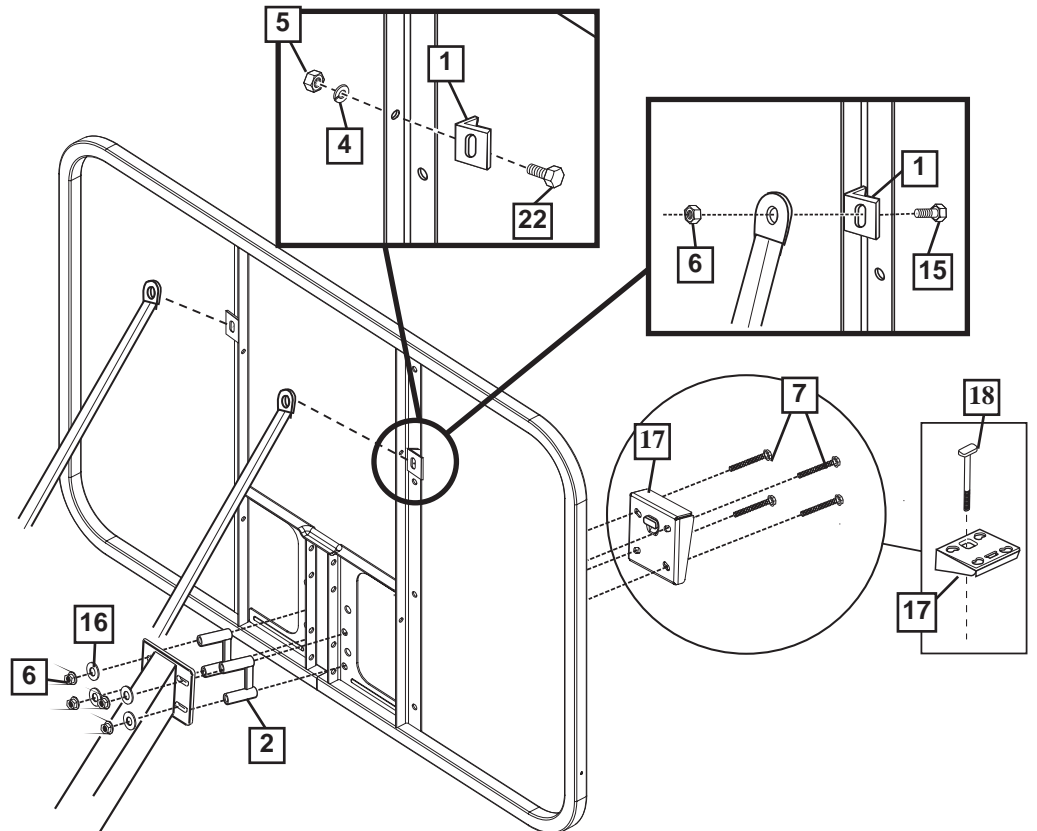
We recommend mounting backboard to a solid material (steel) behind rim area.

A



OR

B

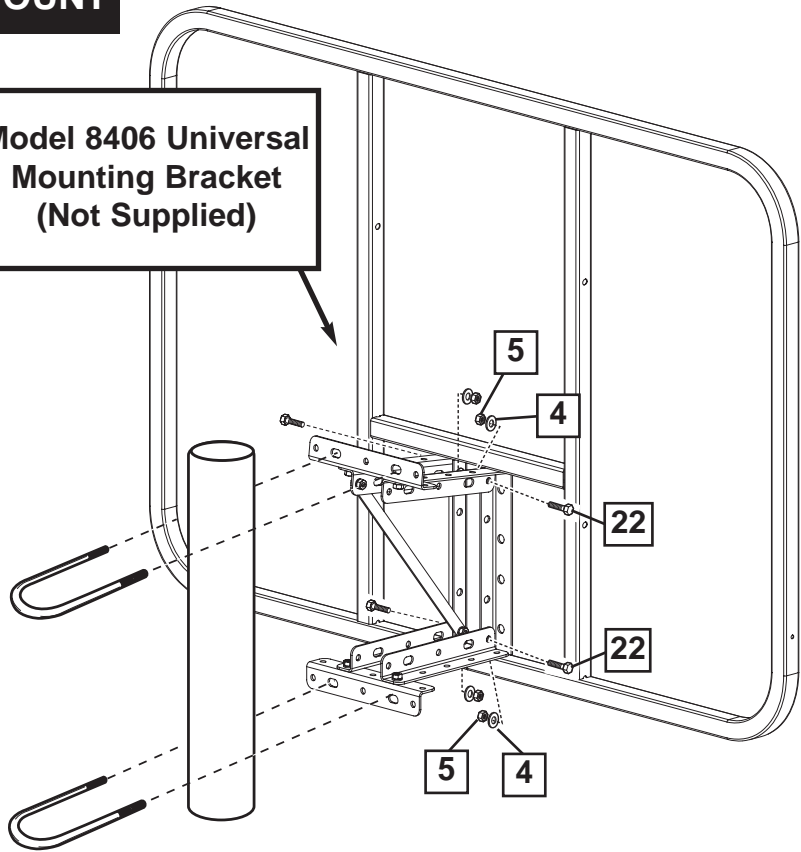


POLE, ROOF, OR WALL MOUNT

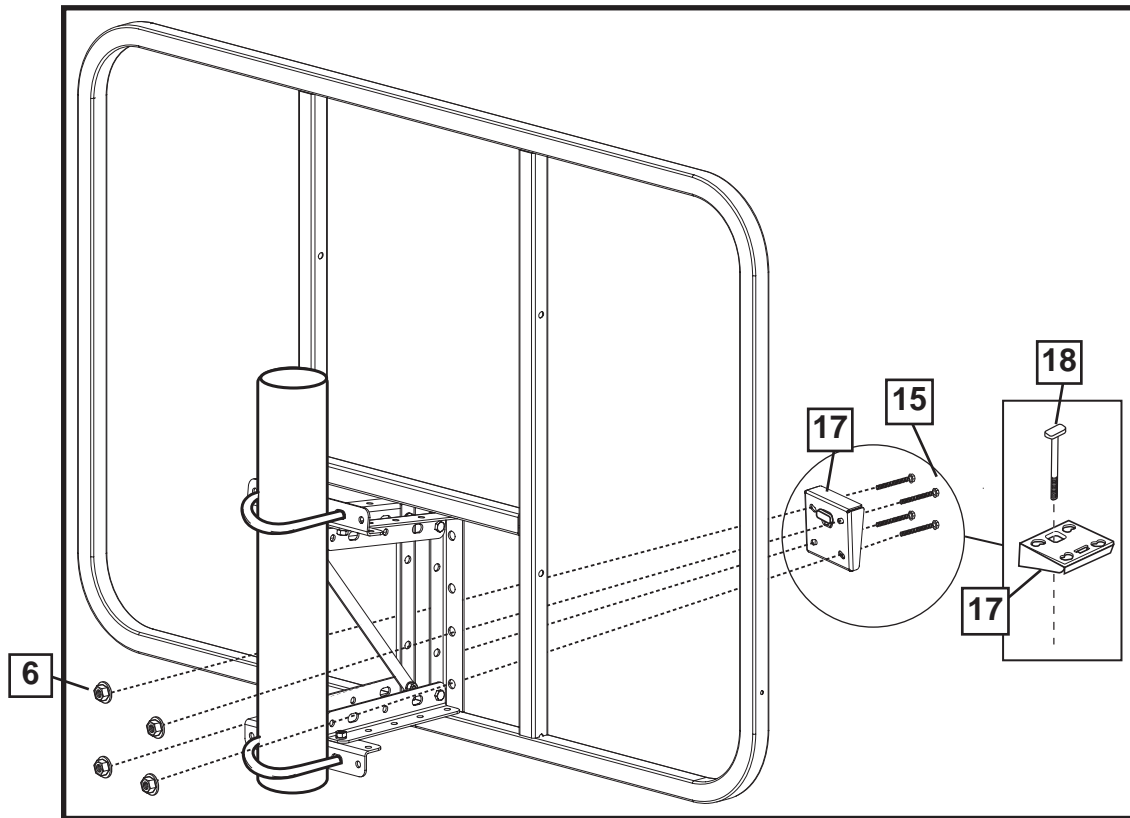
Model 8406 Universal Mounting Bracket is available for purchase
by calling this number: 1-800-558-5234

POLE MOUNT

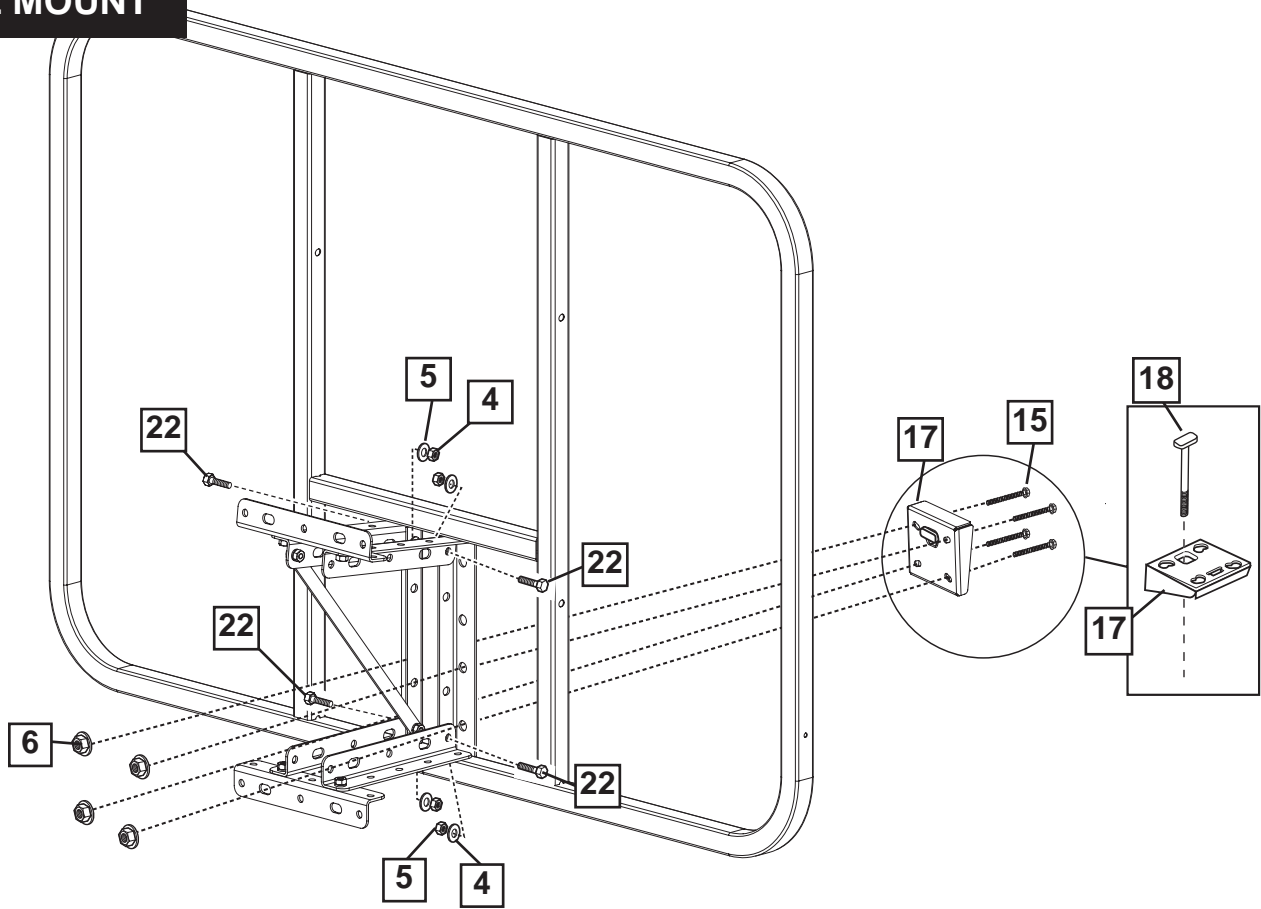
Model 8406 Universal
Mounting Bracket
(Not Supplied)



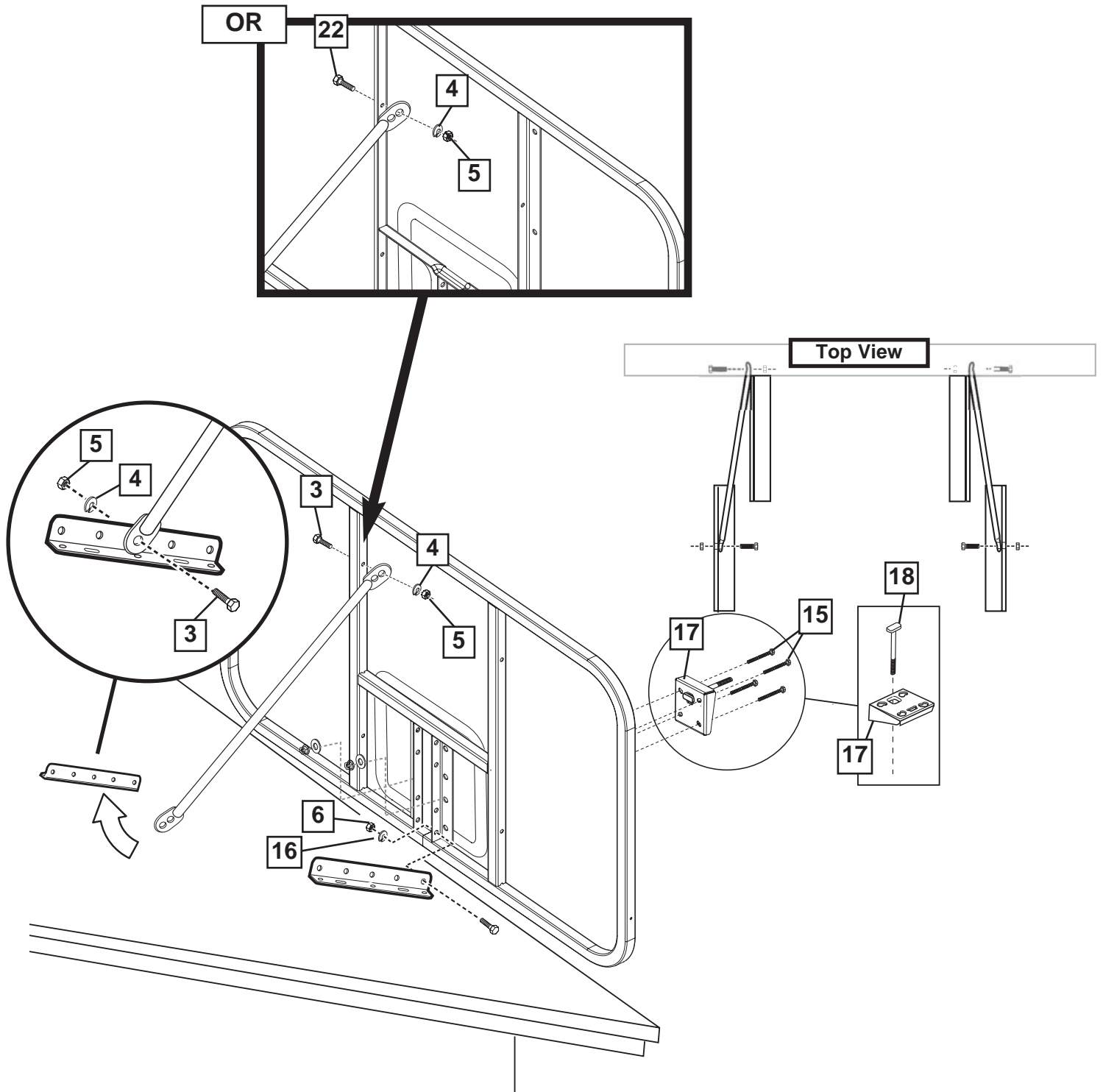
Model 8406
Universal Mounting
Bracket is available
for purchase by
calling this number:
1-800-558-5234



WALL MOUNT



ROOF MOUNT



Model 8406 Universal Mounting Bracket (not supplied) is available for purchase by calling this number: 1-800-558-5234

ELEVATOR MOUNTS



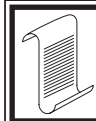
IMPORTANT!

All Elevator mounts will require this initial step of attaching brackets (8) to the backboard.



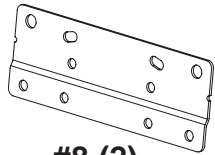
IMPORTANT!

It is necessary for all parts to be installed properly for this mechanism to work safely and properly.



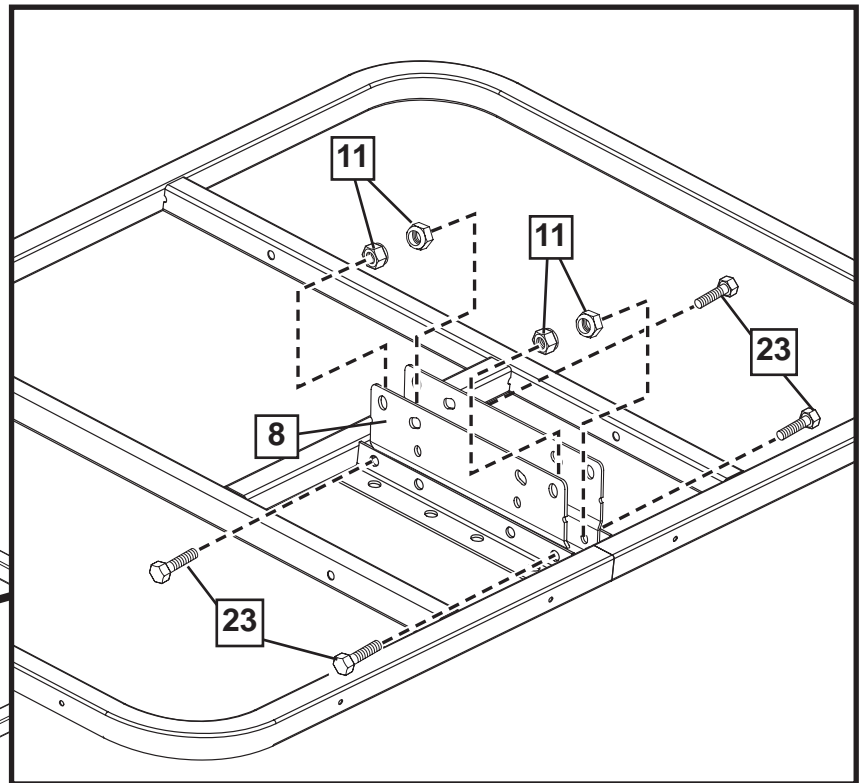
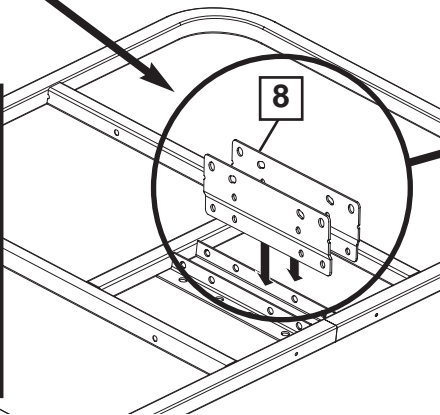
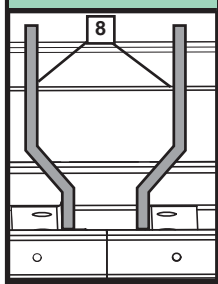
NOTE:

BRACKET STYLE
MAY VARY

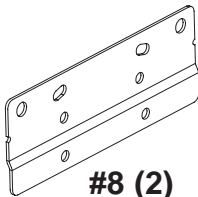


#8 (2)

NOTE ORIENTATION

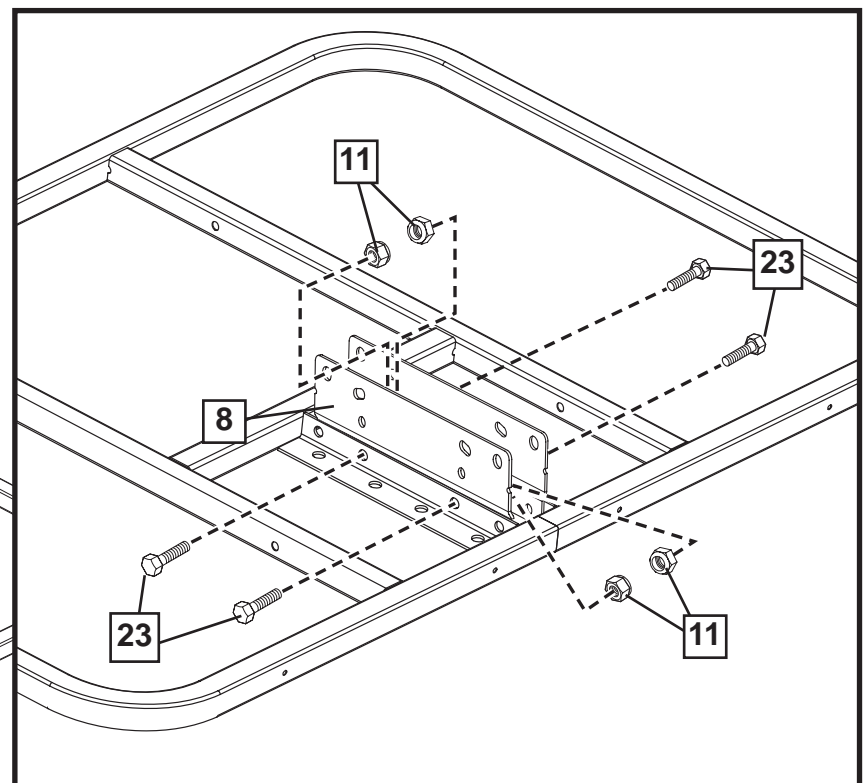
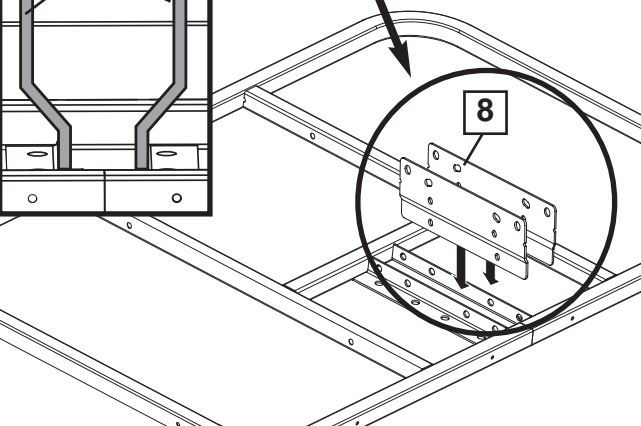
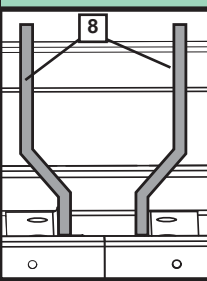


OR



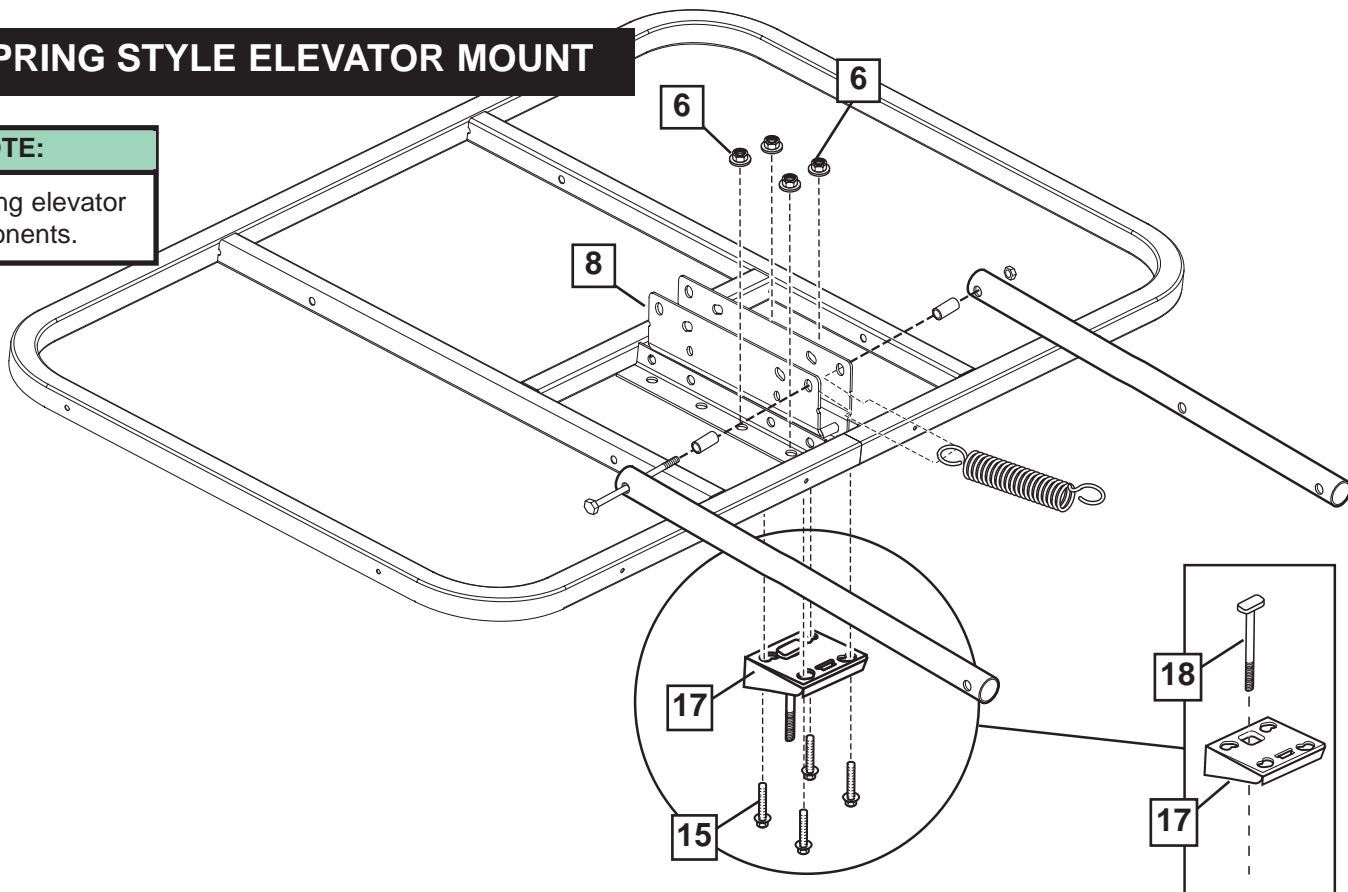
#8 (2)

NOTE ORIENTATION

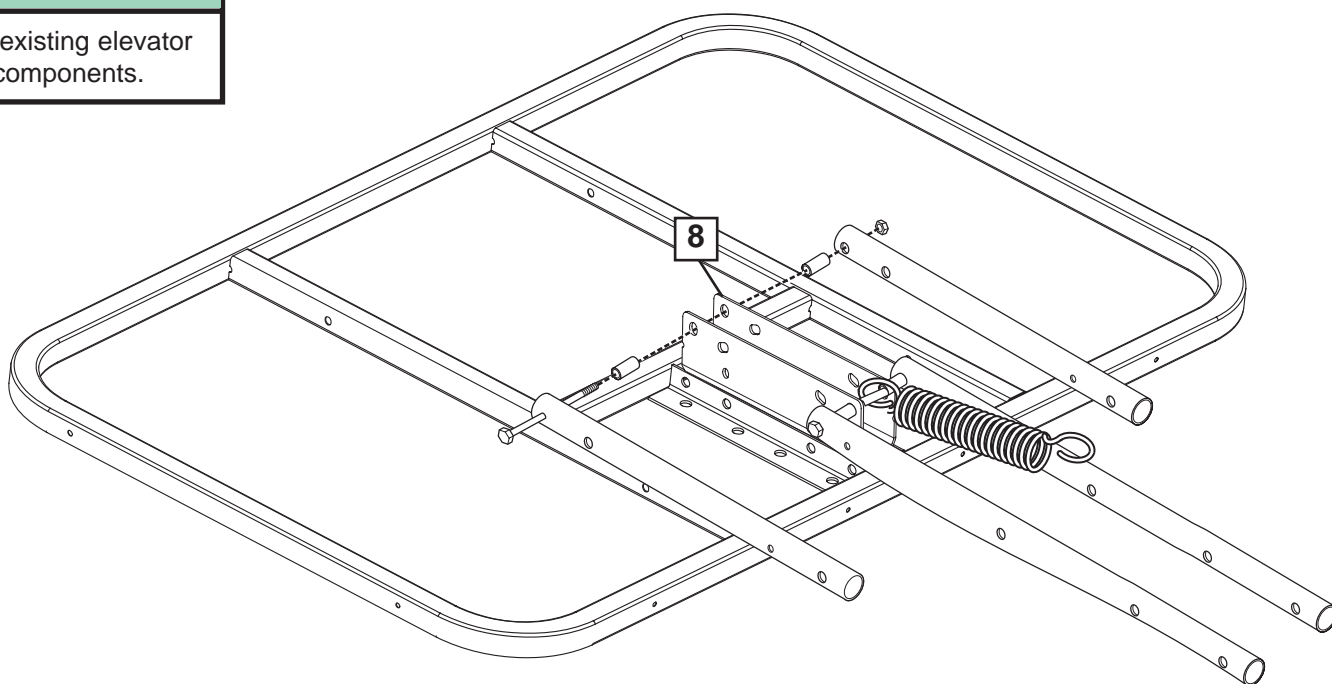


A**SPRING STYLE ELEVATOR MOUNT****NOTE:**

Use existing elevator components.

**SPRING STYLE ELEVATOR MOUNT (continued)****NOTE:**

Use existing elevator components.

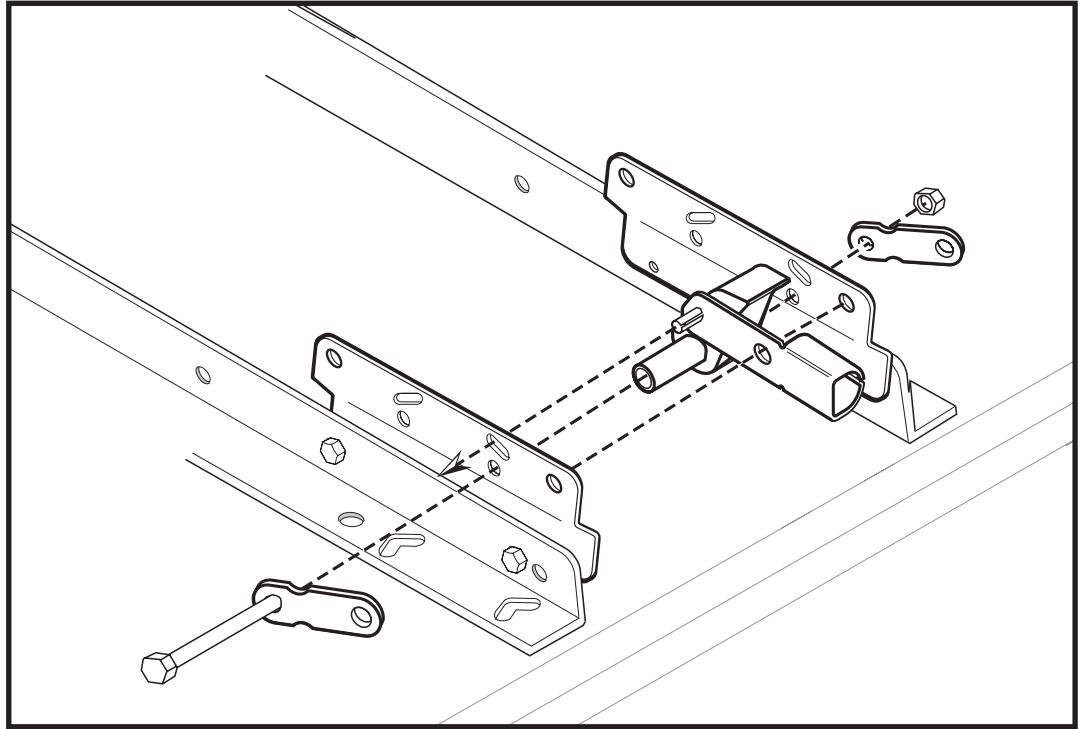


B

BRONZE RATCHET ELEVATOR MOUNT

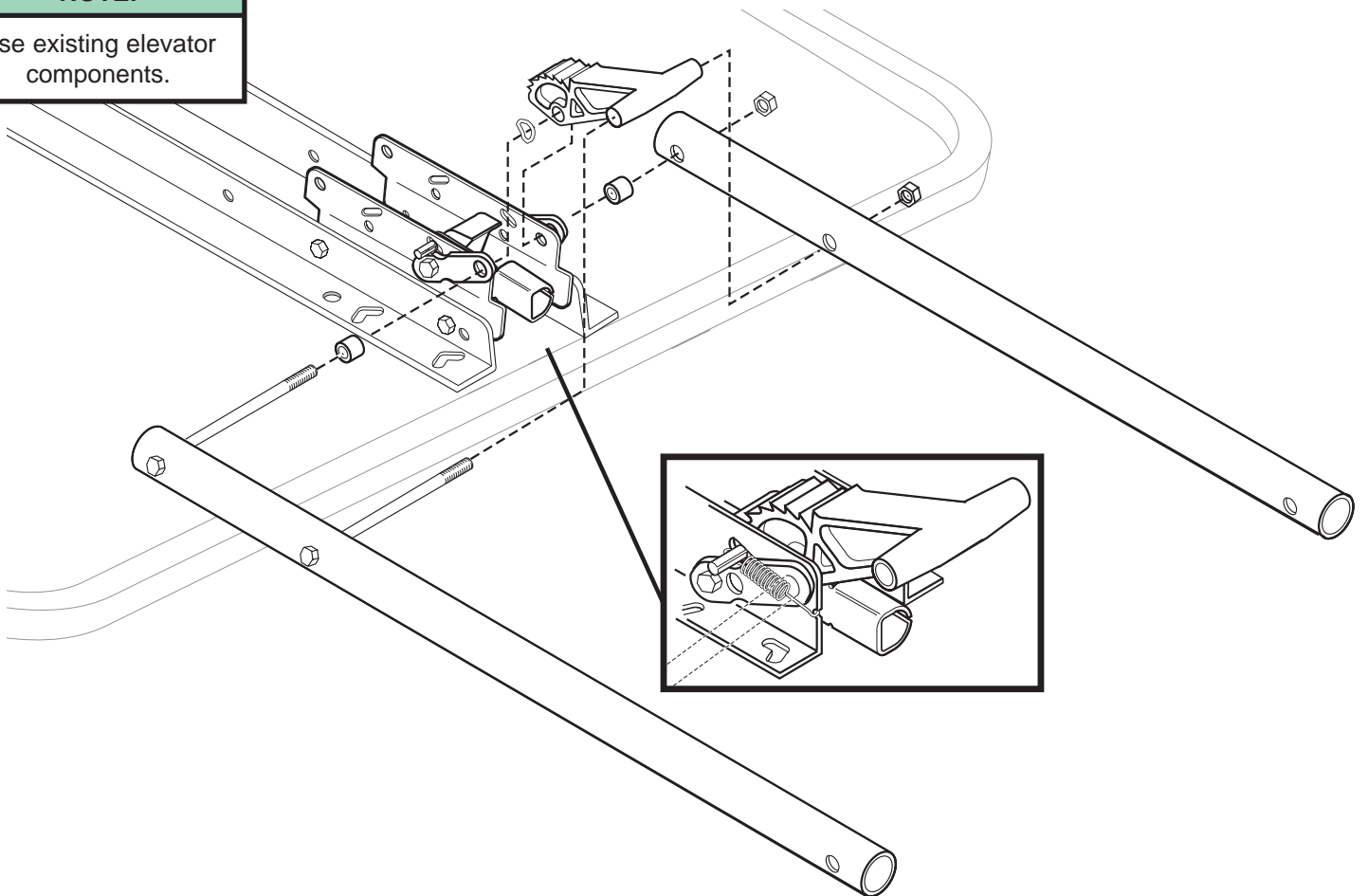
NOTE:

Use existing elevator components.

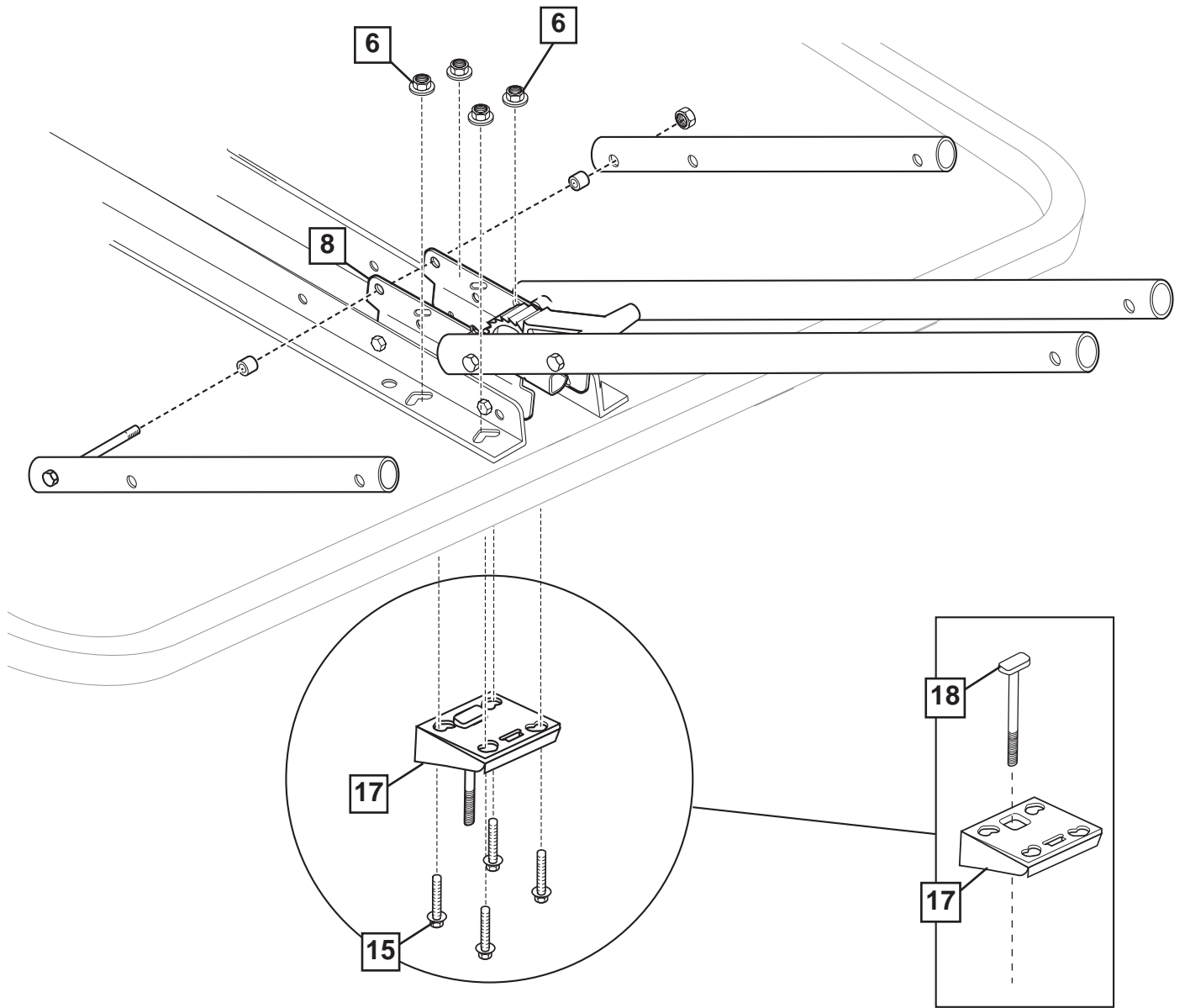


NOTE:

Use existing elevator components.



BRONZE RATCHET ELEVATOR MOUNT (continued)

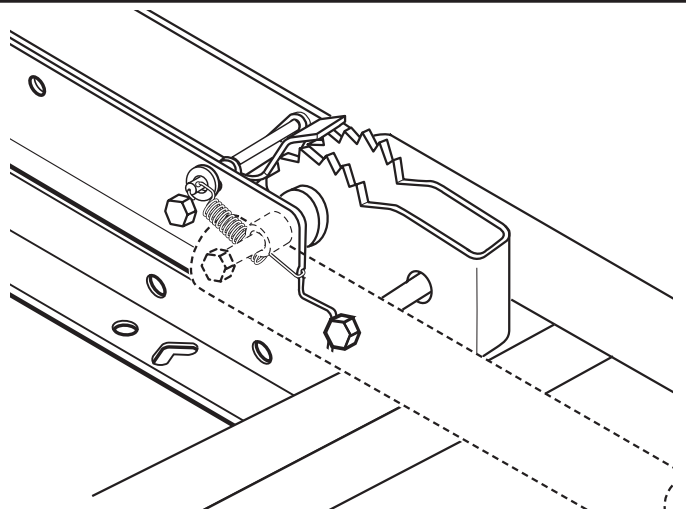
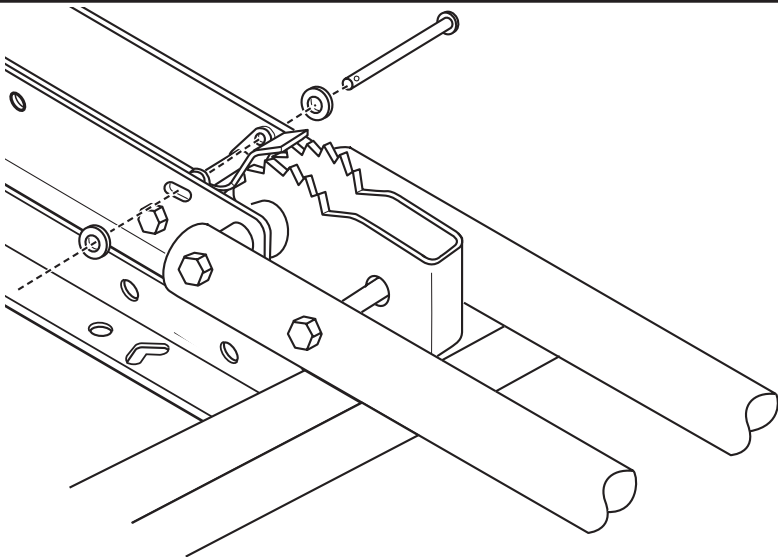
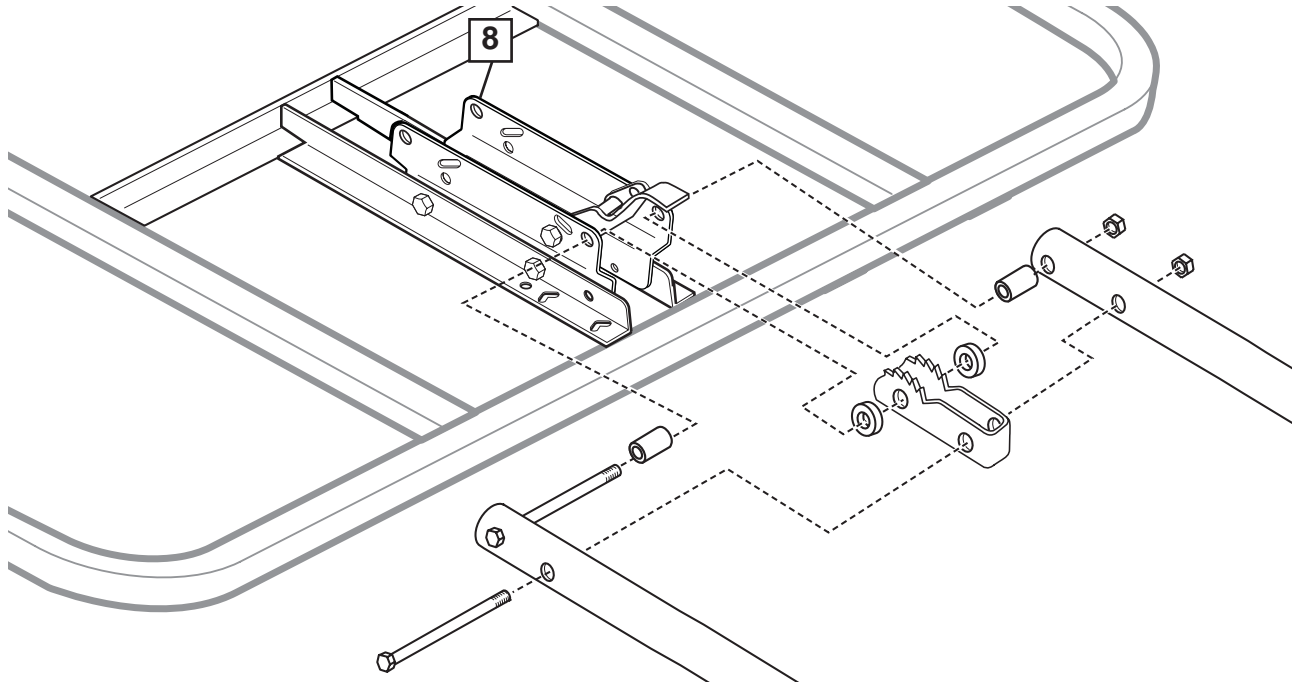
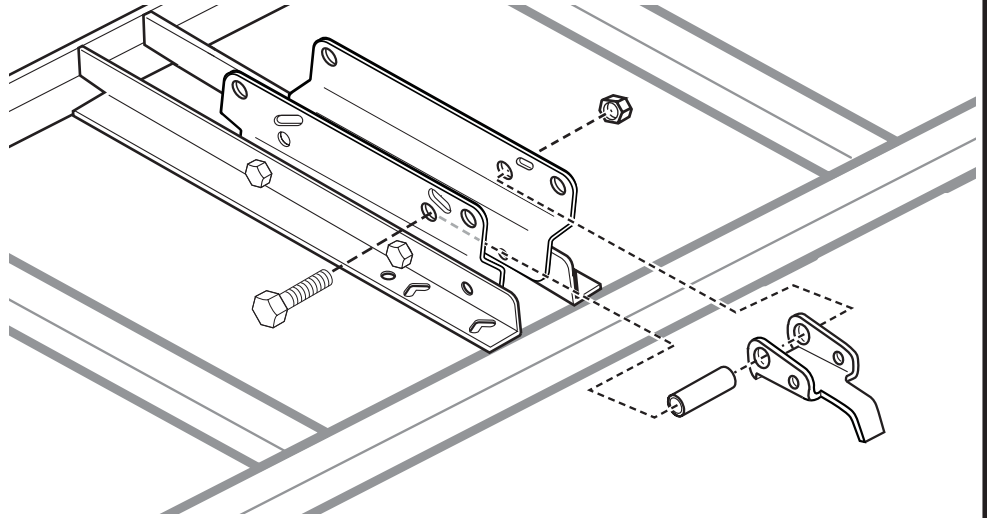


C

STAMPED RATCHET ELEVATOR MOUNT

NOTE:

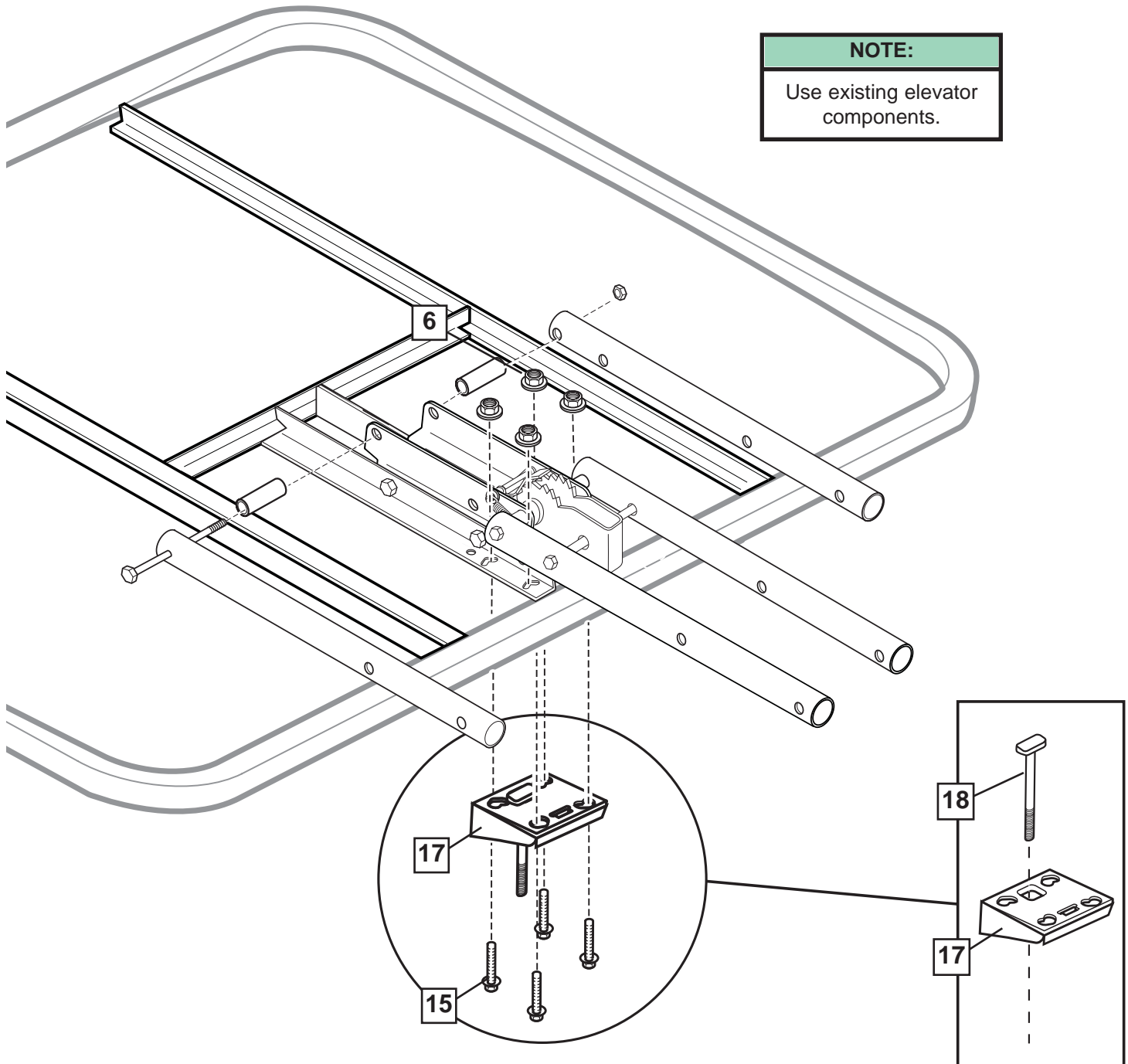
Use existing elevator components.



STAMPED RATCHET ELEVATOR MOUNT (continued)

NOTE:

Use existing elevator components.



D

APOLLO ELEVATOR MOUNT

NOTE:

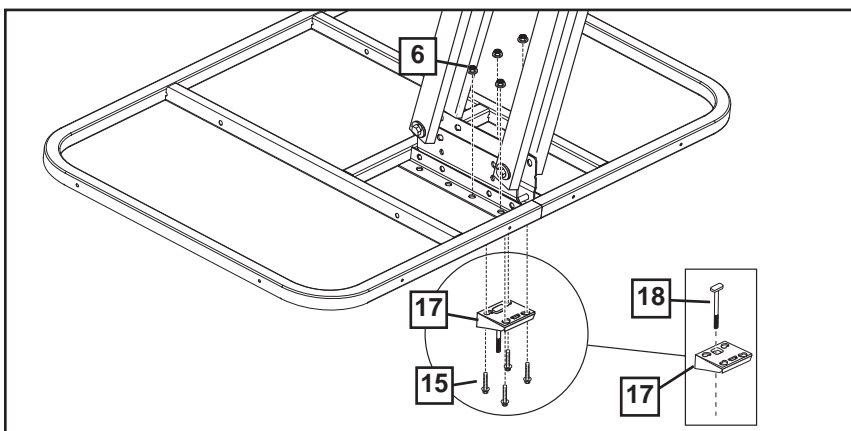
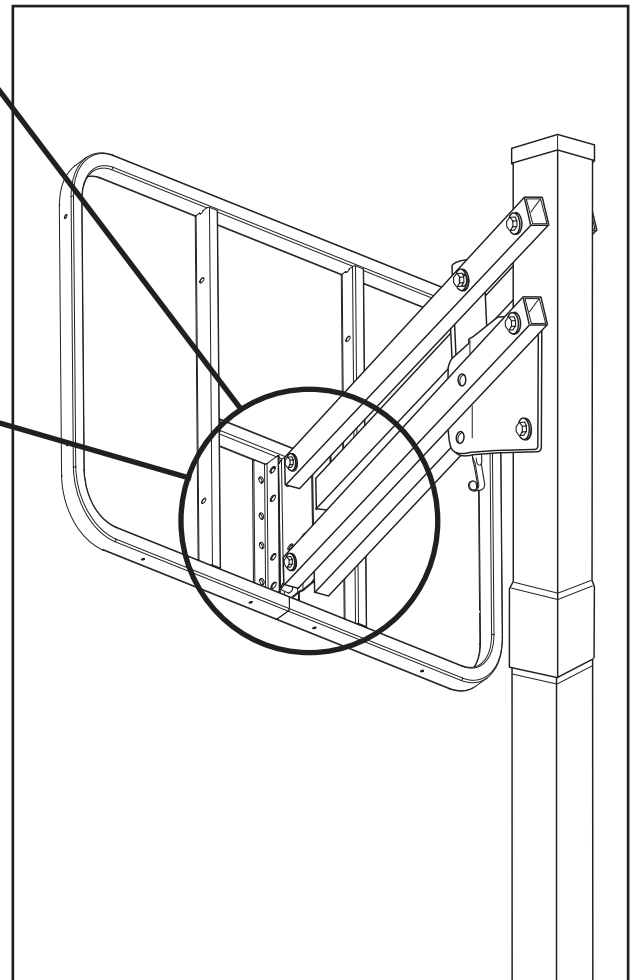
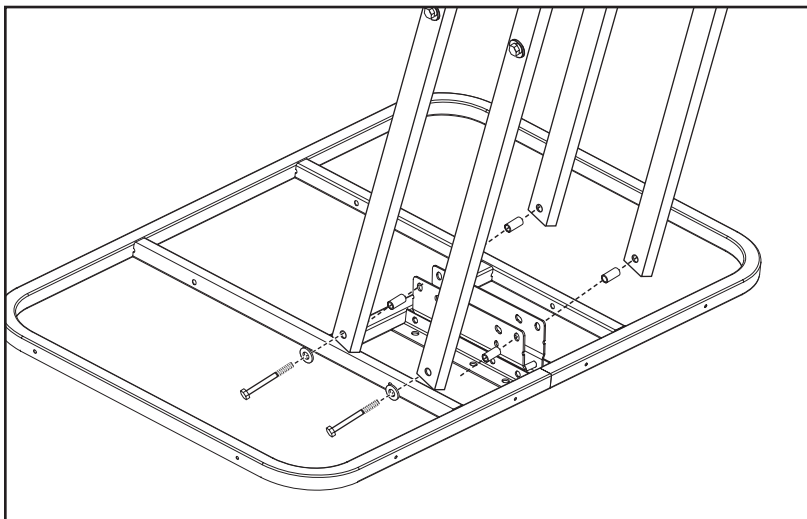
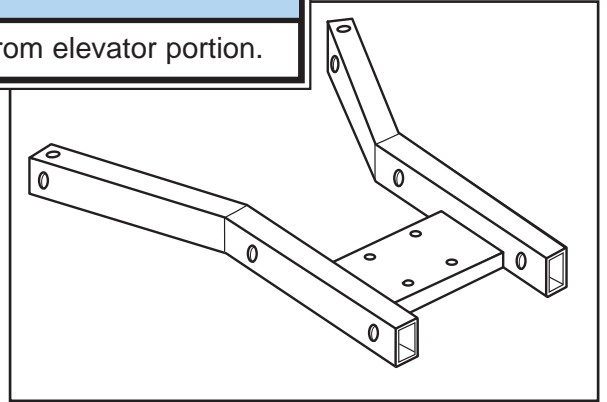
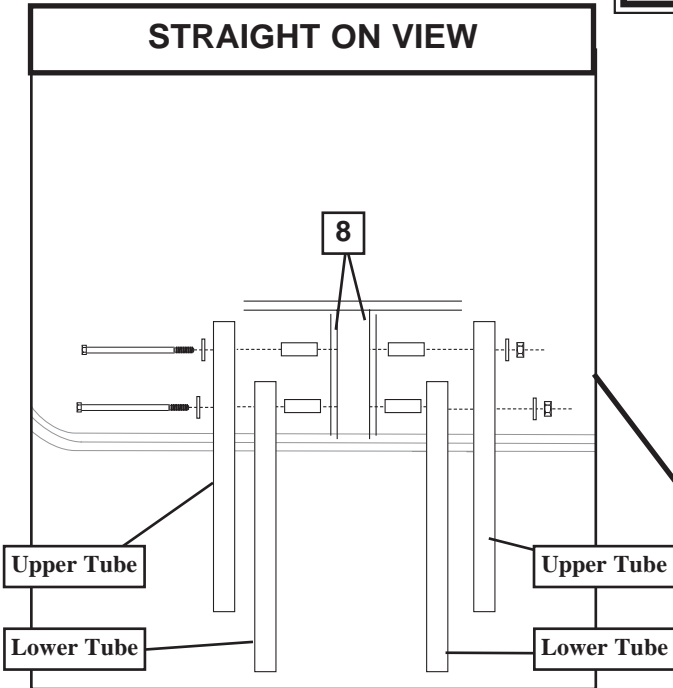
Use existing elevator components.



IMPORTANT!

Remove Y-frame from elevator portion.

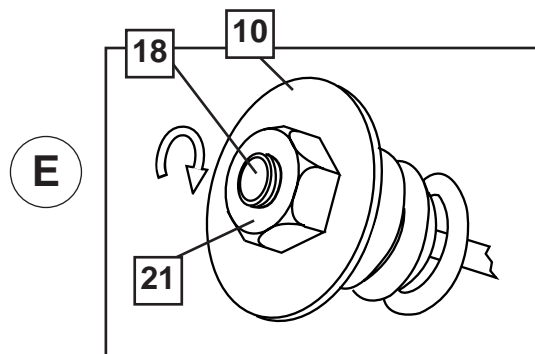
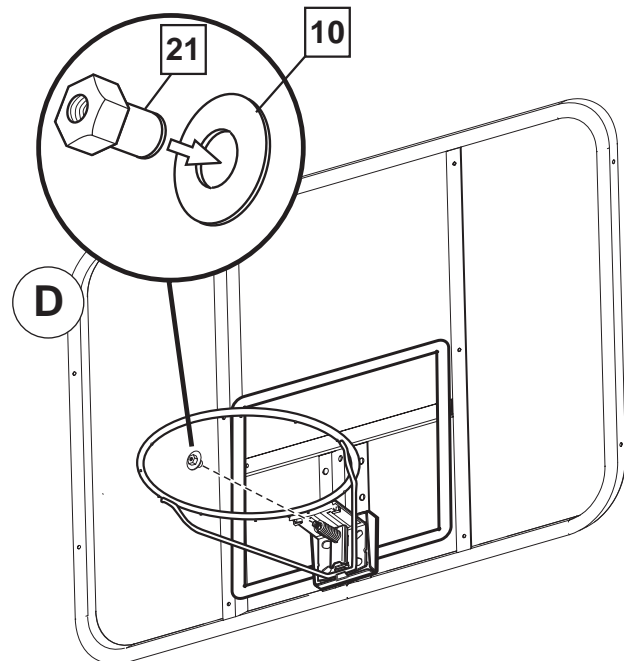
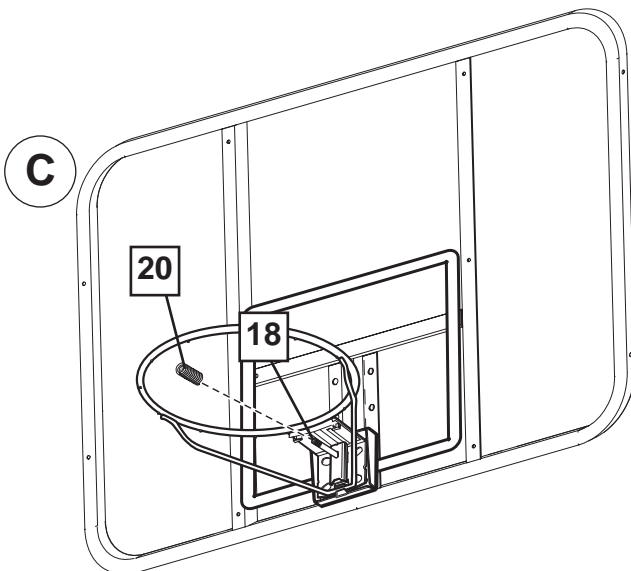
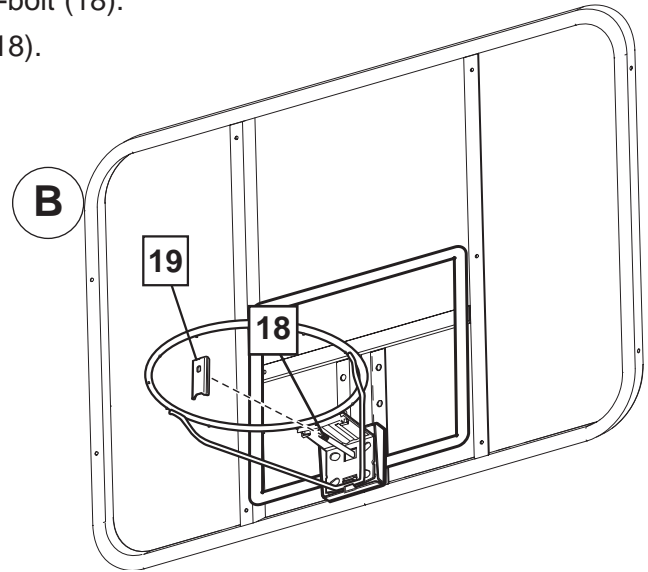
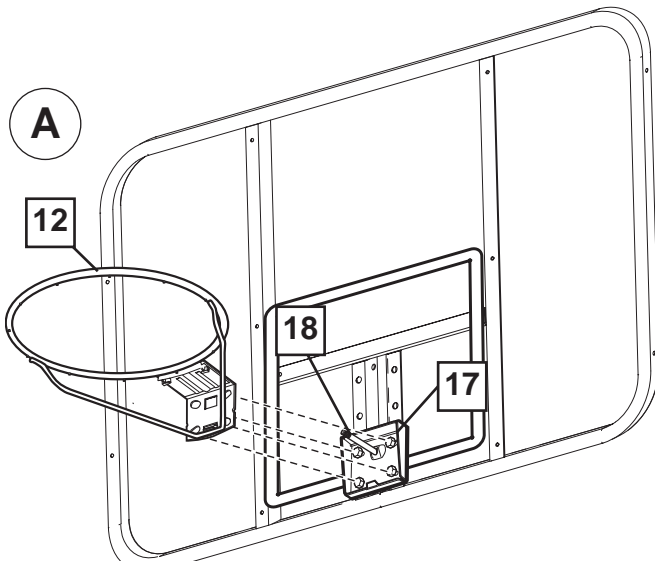
STRAIGHT ON VIEW



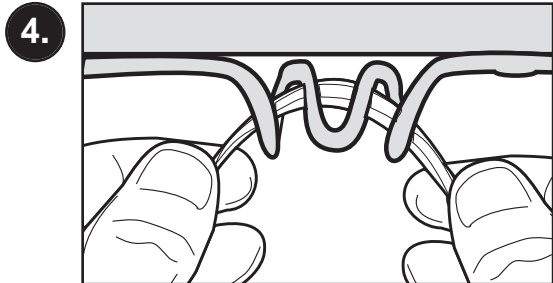
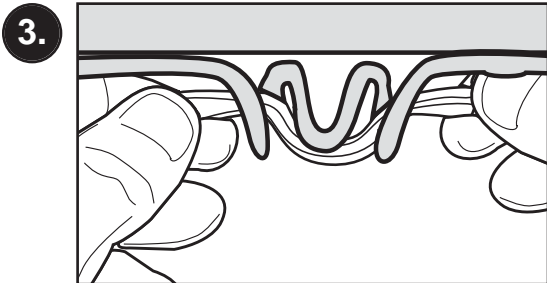
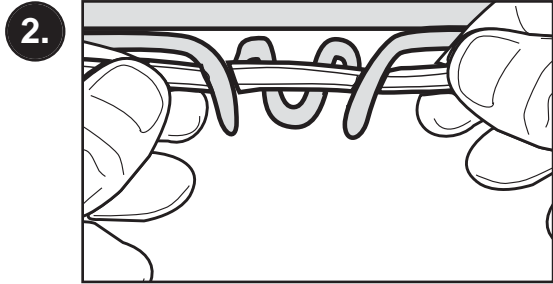
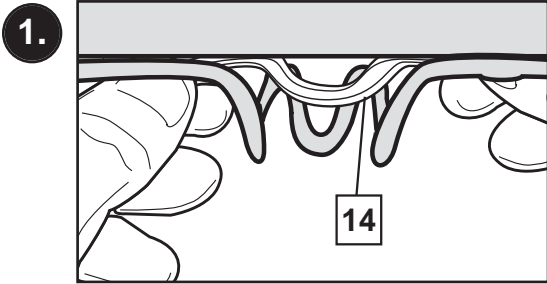
2.

Install Slam Jam Rim to Backboard

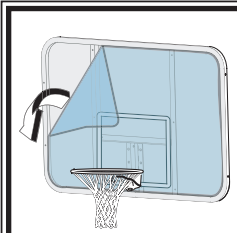
- A Fit rim (12) securely into bracket (17) as shown. Allow T-bolt (18) to slip through center hole in rim (12).
- B Install reinforcement bracket (19) onto T-bolt (18) as shown.
- C Install spring (20) onto T-bolt (18) as shown.
- D Install special nut (21) and washer (10) onto T-bolt (18).
- E Tighten nut (21) until flush with end of T-bolt (18).



3. Install net (14).



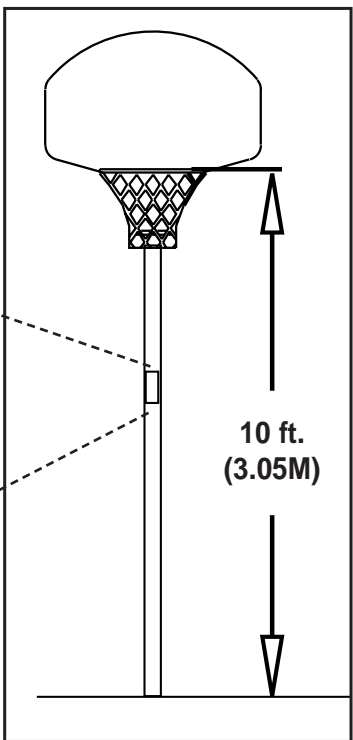
4.



NOTE:
Peel protective film from surface of acrylic backboard prior to use.

⚠ Place warning label (9) in location clearly visible within playing area.

SPALDING
RUSSELL ATHLETIC
HYDRA-RIB
SUNBELT
HUFFY SPORTS



REGULATION RIM HEIGHT IS 10 FEET (3.05M).